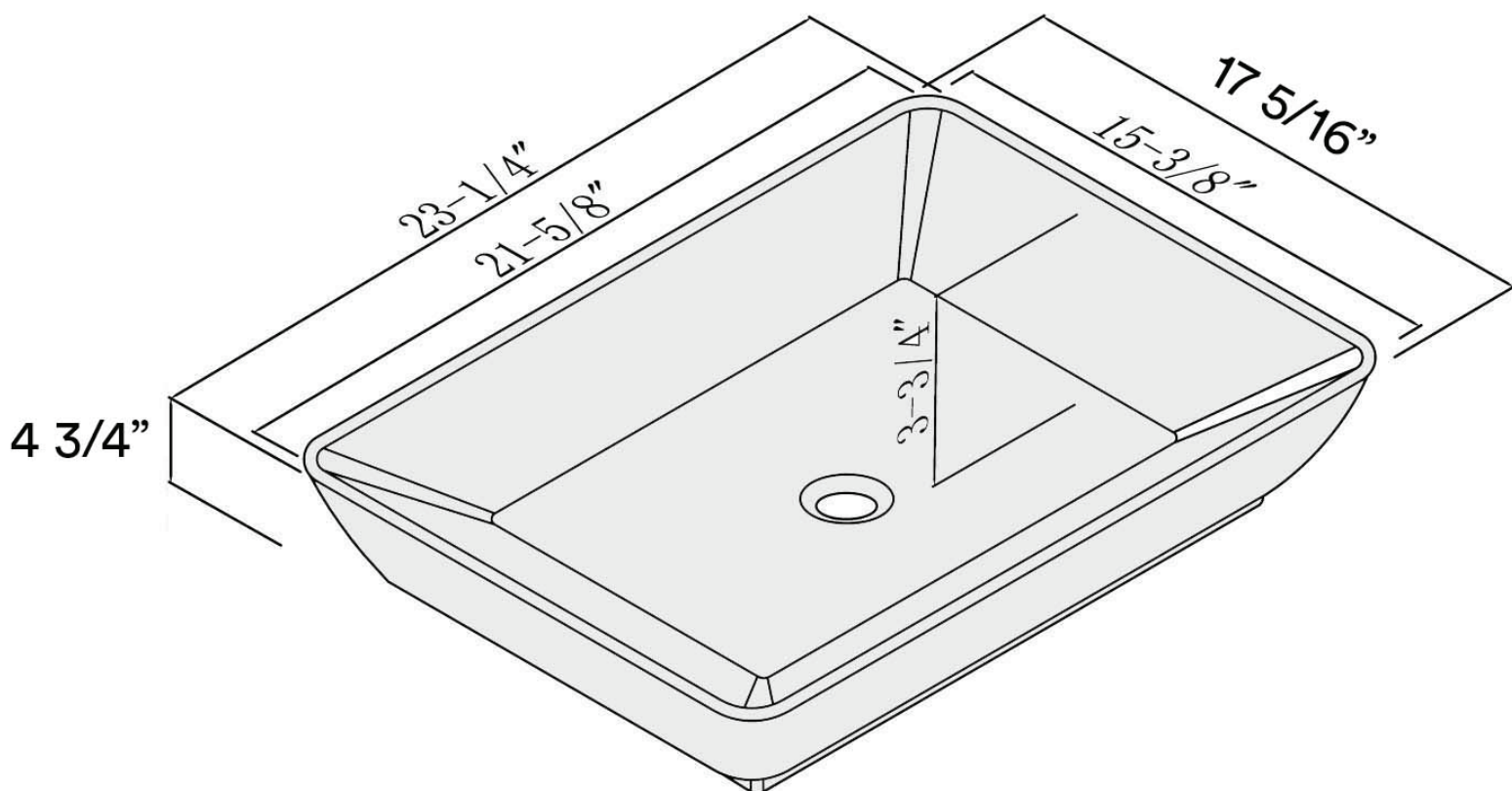


DIMENSIONS/TECHNICAL DATA



ATTENTION! Dimensions may vary by up to $3/8\text{'}$. It is highly recommended to pull all dimensions of actual model for installation and measuring purposes.

TECHNICAL DATA